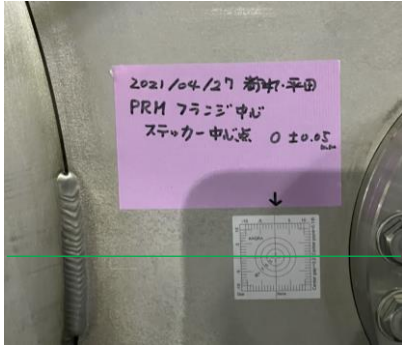


PRM Breadboard height

2024/1/23

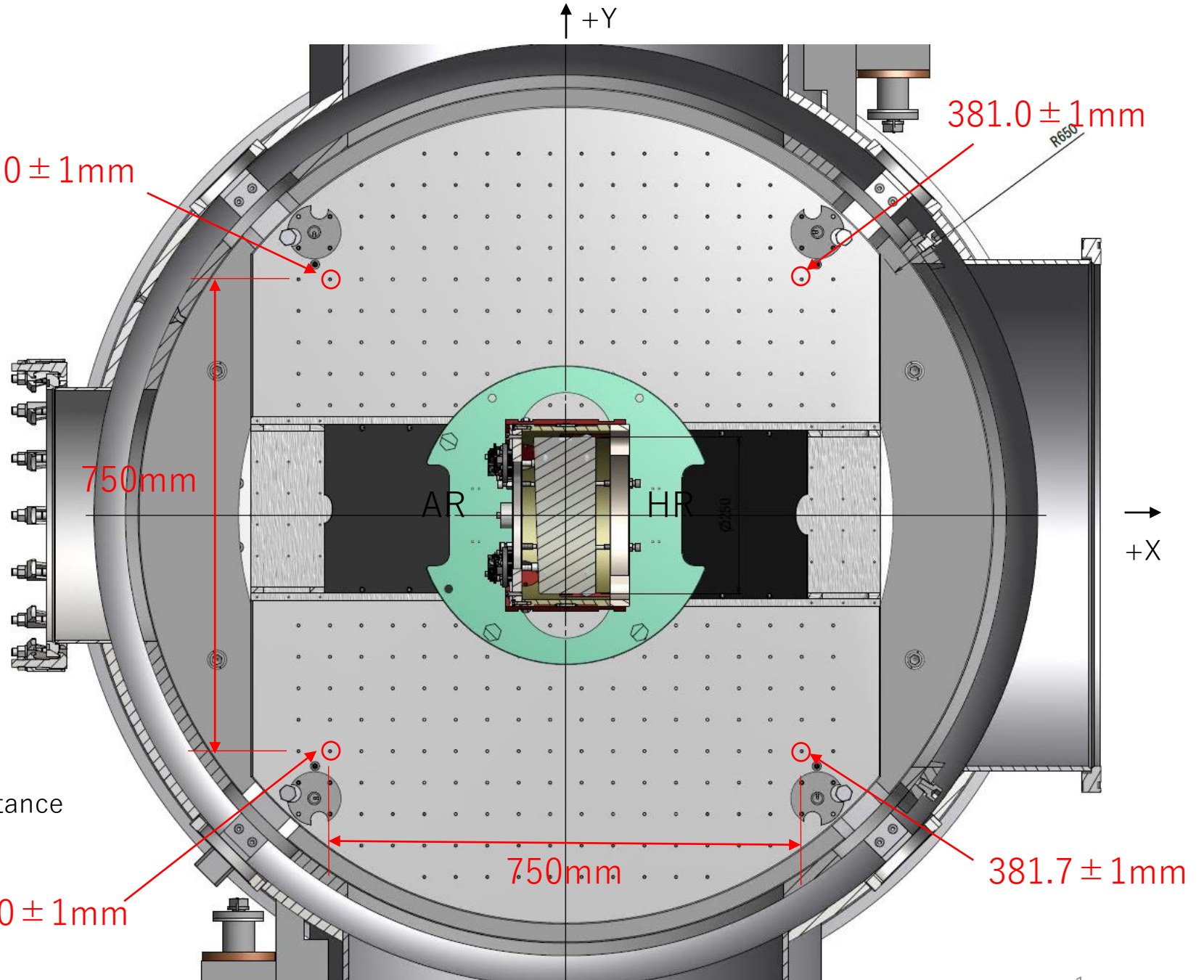
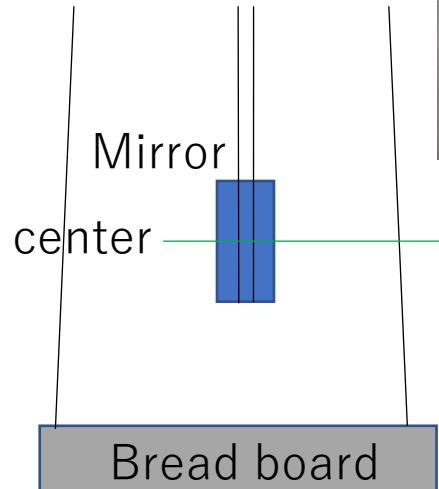


(Copied it to convenient place)



Flange center of PR3 side

We measured this distance (Nominal:380mm)



PRM Breadboard height

2024/1/23

- We measured foot screw height from the breadboard surface before locking breadboard.

